

Contents

Version	Actuation	Page		
		Characteristics	Dimensions	Order Instructions Overview
4/3 Way Valves	Rotary lever	12	13	13
	Rotary switch	12	13	13

Directional Control Valves

Series DRS-G1/8



4/3 Way Flat Slide Valves

Series DRS
G1/8

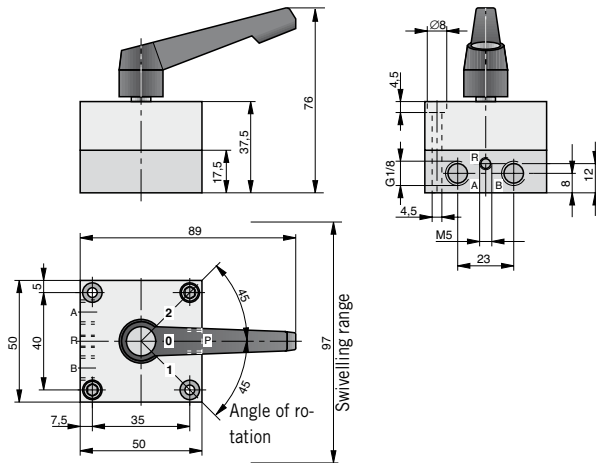
Actuation:
– Rotary lever
– Rotary switch

Characteristics – Series DRS

Characteristics	Symbol	Unit	Description
General Features			
System			Flat slide valve without automatic return to neutral position
Mounting			2 Screws M4
Tube connection			Thread
Port size			Port P, A, B: G1/8 Port R: M5
Weight (mass)		kg	0.500
Installation			In any position
Ambient temperature range	$T_{\min/\max}$	°C	-10 to +55 Note: Please consult us for operating temperatures below 0°C
Medium temperature range	$T_{\min/\max}$	°C	-10 to +60
Medium			Filtered compressed air
Lubrication			Oil mist lubrication compatible with Buna N
Pneumatic Characteristics			
Nominal pressure	p_n	bar	6
Operating pressure range	$p_{\min/\max}$	bar	0–10
Nominal flow	Q_N	l/min	350
Actuation			
Manual control			Direct
Actuation force	F_b	N	ca. 6

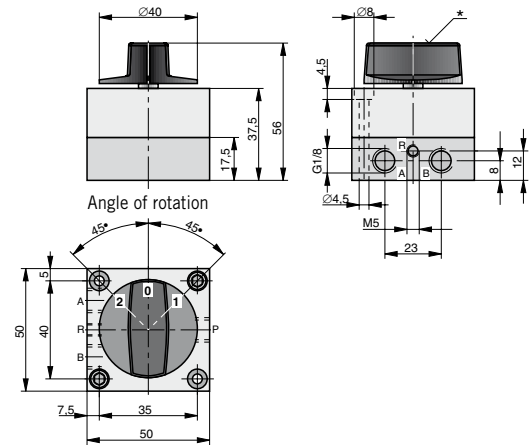


Rotary Lever – Type: DRS 412 .-1/8



Port identification:
 A = 4 Outlet
 B = 2 Outlet
 R = 5 Exhaust
 P = 1 Pressure supply

Rotary Switch – Type: DRS 417 .-1/8



* After removing the cover and loosening the mounting screws, the rotary switch is infinitely variable.

Order Instructions – 4/3 Way Flat Slide Valves, Series DRS

Actuation	Symbol	Order Instructions Type	Order No.
Rotary lever Middle position pressurized		DRS 412 B-1/8	PA 10267
Rotary lever Middle position vented		DRS 412 E-1/8	PA 10266
Rotary lever Middle position closed		DRS 412G-1/8	PA 10268
Rotary switch Middle position pressurized		DRS 417 B-1/8	PA 10264
Rotary switch Middle position vented		DRS 417 E-1/8	PA 10263
Rotary switch Middle position closed		DRS 417 G-1/8	PA 10265

Dimensions in mm

Characteristics

Characteristics	Symbol	Unit	Description
General Features			
Type			Poppet Valve
Mounting			4 Screws M8 ⁽¹⁾
Tube connection			Thread
Port size			G1/4
Weight (mass)		kg	1.5
Installation			In any position
Ambient temperature range ⁽³⁾	T _{min/max}	°C	-10 to +55
Medium temperature range ⁽³⁾	T _{min/max}	°C	-10 to +60
Medium			Filtered and oiled or filtered, unoled compressed air
Lubrication ⁽²⁾			Oil mist lubrication compatible with Buna N
Pneumatic Characteristics			
Nominal pressure	p _n	bar	6
Operating pressure range	p _{min/max}	bar	0 – 10
Nominal flow	Q _N	l/min	1400
Actuation			
Manual control			Direct
Stroke		mm	2
Actuation force	F _b	N	ca. 30

⁽¹⁾ After removing the rubber footing

⁽²⁾ We recommend the use of mineral oil type VG 32 to ISO 3448

⁽³⁾ Note: Please consult us for operating temperatures below 0° C

3/2 and 5/2 Way Valves Pedal actuated Series F

G1/4

Actuation System:
– Pedal

Connections for 3/2 way version:

Version

„Normally closed“: P, B, S

„Normally open“: P, A, R

* Only for version “both switch positions indexed”
– return is only effected after actuating the locking pedal.

Mounting Instruction:

Use only screw connections with max. wrench size across flats of 15.

Connection designation:

A = 4 Outlet

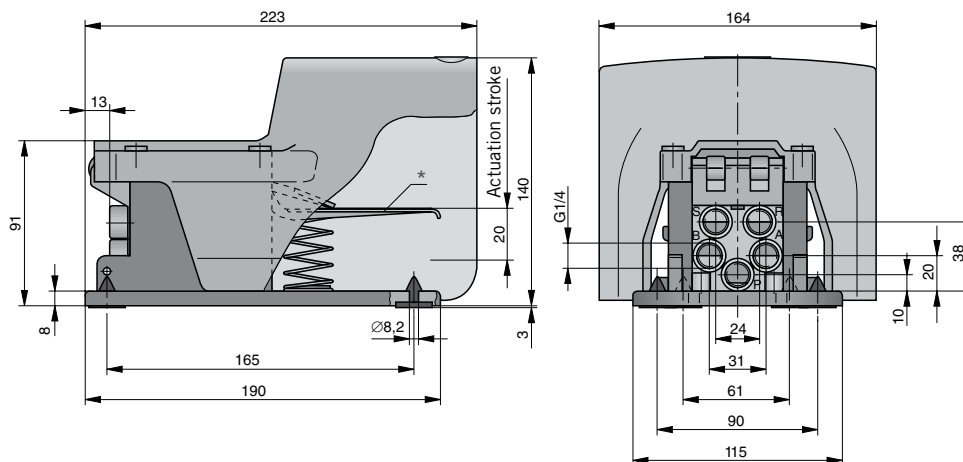
B = 2 Outlet

R = 5 Exhaust

P = 1 Air supply

S = 3 Exhaust

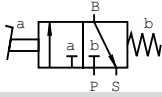
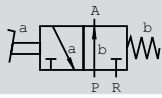
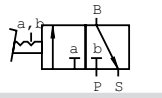
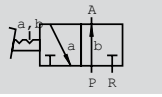
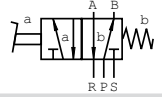
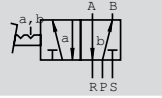
Pedal actuated – Type: F331...-08., F531...-08



Dimensions in mm



Order Instructions – 3/2 and 5/2 Way Valves

Actuation	Symbol	Order Instructions	
		Type	Order No.
Pedal with spring return		F 331RF-08NG*	KZ 4410
		F 331RF-08NO*	KZ 4411
Pedal without reset		F 331-08NG*	KZ 4408
		F 331-08NO*	KZ 4409
Pedal with spring return		F 531RF-08	KZ 4413
Pedal both switch positions indexed		F 531-08	KZ 4412

* NC – Version normally closed
NO – Version normally open

Dimensions in mm